



HYUNDAI CARS RECOMMENDED

SUPPLIER CODE SP 10002



**Attrezzatura
consigliata**

(IT)

**Recommended
equipment**

(EN)

**Empfohlene
Werkstattausrüstung**

(DE)

**Équipement
conseillé**

(FR)

**Equipos
recomendados**

(ES)

ASSETTI RUOTE *WHEEL ALIGNERS*



ARC78WS
TFT 19" monitor
Aspetto ruote a 8 sensori CCD
8-CCD sensor wheel aligner

Trasmissione fra rilevatori a raggi infrarossi.
Trasmissione Bluetooth fra rilevatori anteriori e console.
*Infra-red transmission among measuring heads.
Bluetooth transmission between front measuring heads and control unit.*

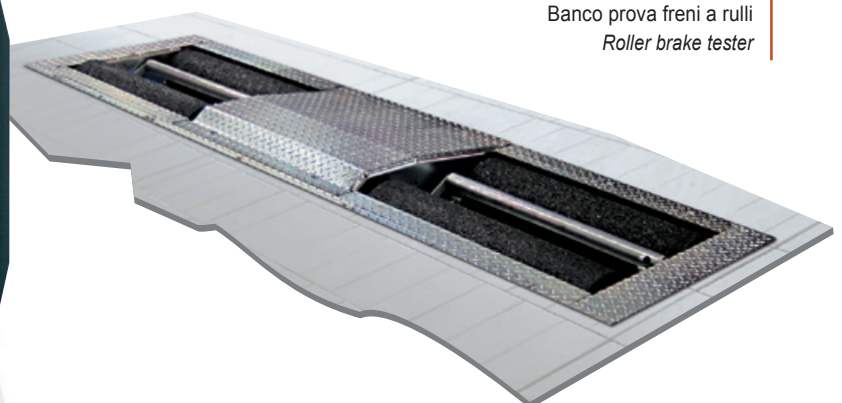


ARN84WS
TFT 22" monitor
Aspetto ruote a 8 sensori CCD
8-CCD sensor wheel aligner

PROVA FRENI *BRAKE TESTER*



PFC800E4E0
Console computerizzata
Computerized management console



SPRT102/6F
Banco prova freni a rulli
Roller brake tester

SMONTAGOMME TYRE CHANGERS

GA 1441.20

Smontagomme automatico.
Bloccaggio esterno: 10"-20"
Bloccaggio interno: 12"-22.5"
Larghezza massima ruota: 12"

Automatic tyre changer.

*External self-centering lock: 10"-20"
Internal self-centering lock: 12"-22,5
Maximum tyre width: 12"*



GA1441.20



GA2441IV.22 + PLUS 83H

GA 2441IV.22

Smontagomme automatico a due velocità con sistema tubeless.
Bloccaggio esterno: 10"-22"
Bloccaggio interno: 12"-24,5"
Larghezza massima ruota: 12"

Automatic tyre changer with two speed and bead seater.

*External self-centering lock: 10"-22"
Internal self-centering lock: 12"-24,5
Maximum tyre width: 12"*

EQUILIBRATRICI WHEEL BALANCERS

ER255RS

Equilibratrice con monitor TFT e misurazione automatica distanza, diametro e larghezza.

Balancer with TFT monitor and automatic measurement of distance, diameter and width.



ER248R

Misurazione automatica distanza e diametro

Automatic measurement of distance and diameter



ER238R

Telaio compatto. Misurazione automatica distanza e diametro. (ER236R senza carter)

Compact frame. Automatic measurement of distance and diameter. (ER236R with no wheel cover)



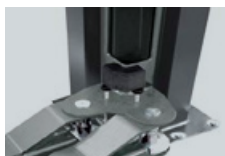
SOLLEVATORI LIFTS



SDE5.337W

Sollevatore 2 colonne elettromeccanico senza base
Electromechanical baseless 2-post lift

SDE5.337WK / 3200 kg



SDC2306

Sollevatore 2 colonne elettromeccanico con base
Electromechanical 2-post lift with base

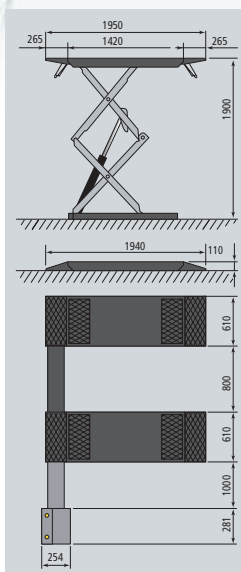
SDC2306 / 3200 kg

SOLLEVATORI *LIFTS*

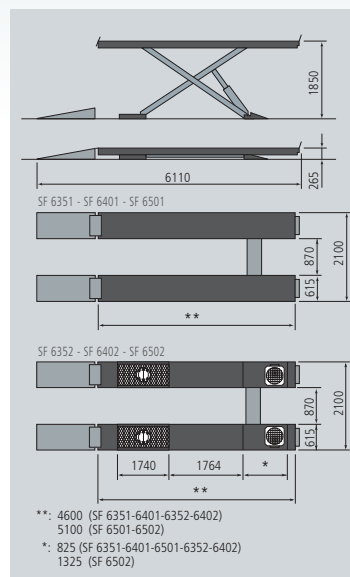


SFL5518

Ponte a forbice con profilo extra ribassato
Low Profile Scissor Lift
SFL 5518 / 3000 kg
(H min = 110 mm)



SF6402



Ponti a pedane piane
Lifts with flat platforms

SF 6351 / 3500 kg
SF 6401 / 4200 kg
SF 6501.55 / 5000 kg

Ponti per assetto ruote
Wheel alignment lifts

SF 6352 / 3500 kg
SF 6402 / 4200 kg
SF 6502.55 / 5000 kg

Pedane per assetto totale, con sedi anteriori per piatti rotanti e piani oscillanti posteriori.

Platforms for total wheel alignment with front turning plates locations and rear slip plates.



SQ406L

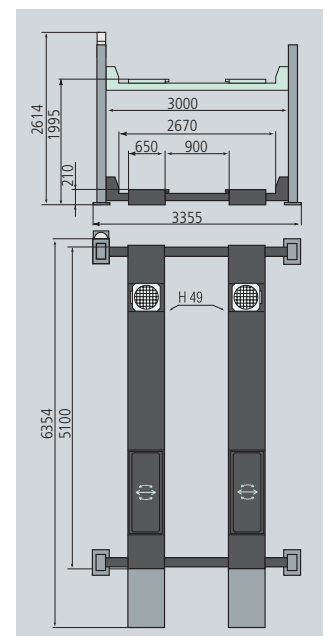
Ponti a pedane piane
Lifts with flat platforms
SQ 405L / 4000 kg

Ponti per assetto ruote
Wheel alignment lifts
SQ 406L / 4000 kg

Pedane per assetto totale, con sedi anteriori per piatti rotanti e piani oscillanti posteriori.
Platforms for total wheel alignment with front turning plates locations and rear slip plates.



J20



SPACE s.r.l. a s.u.

Via Sangano, 48
10090 Trana - Torino - ITALY
tel. +39-011-934.40.300
fax +39-011-933.88.64
e-mail: info@spacetest.com
www.spacetest.com